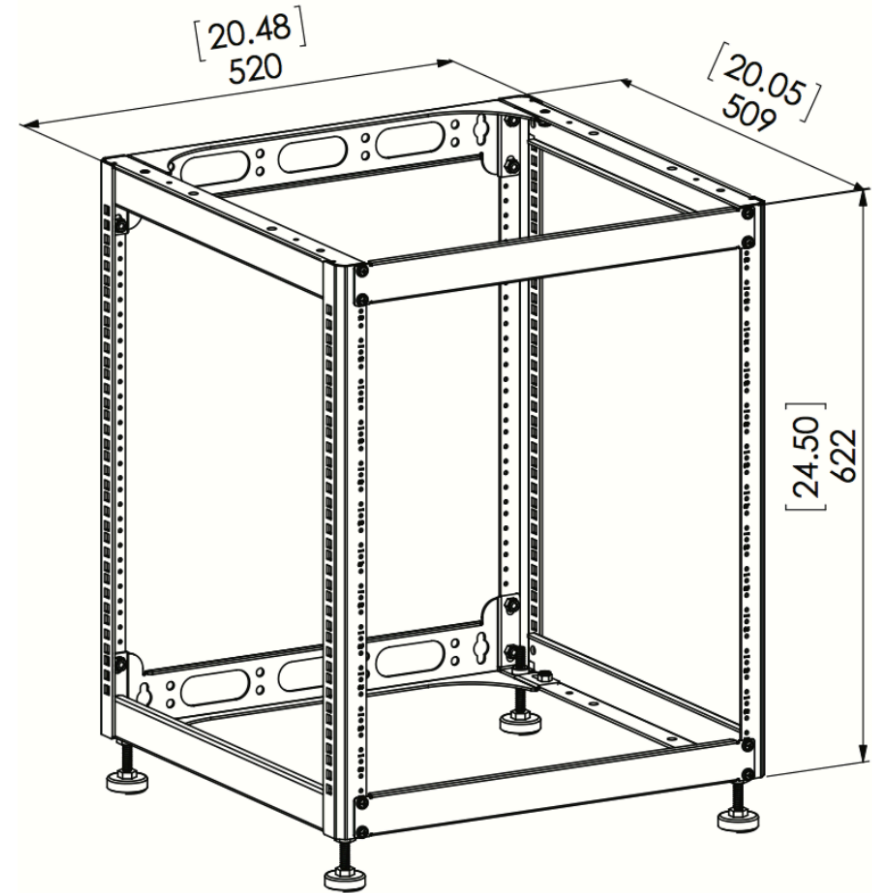
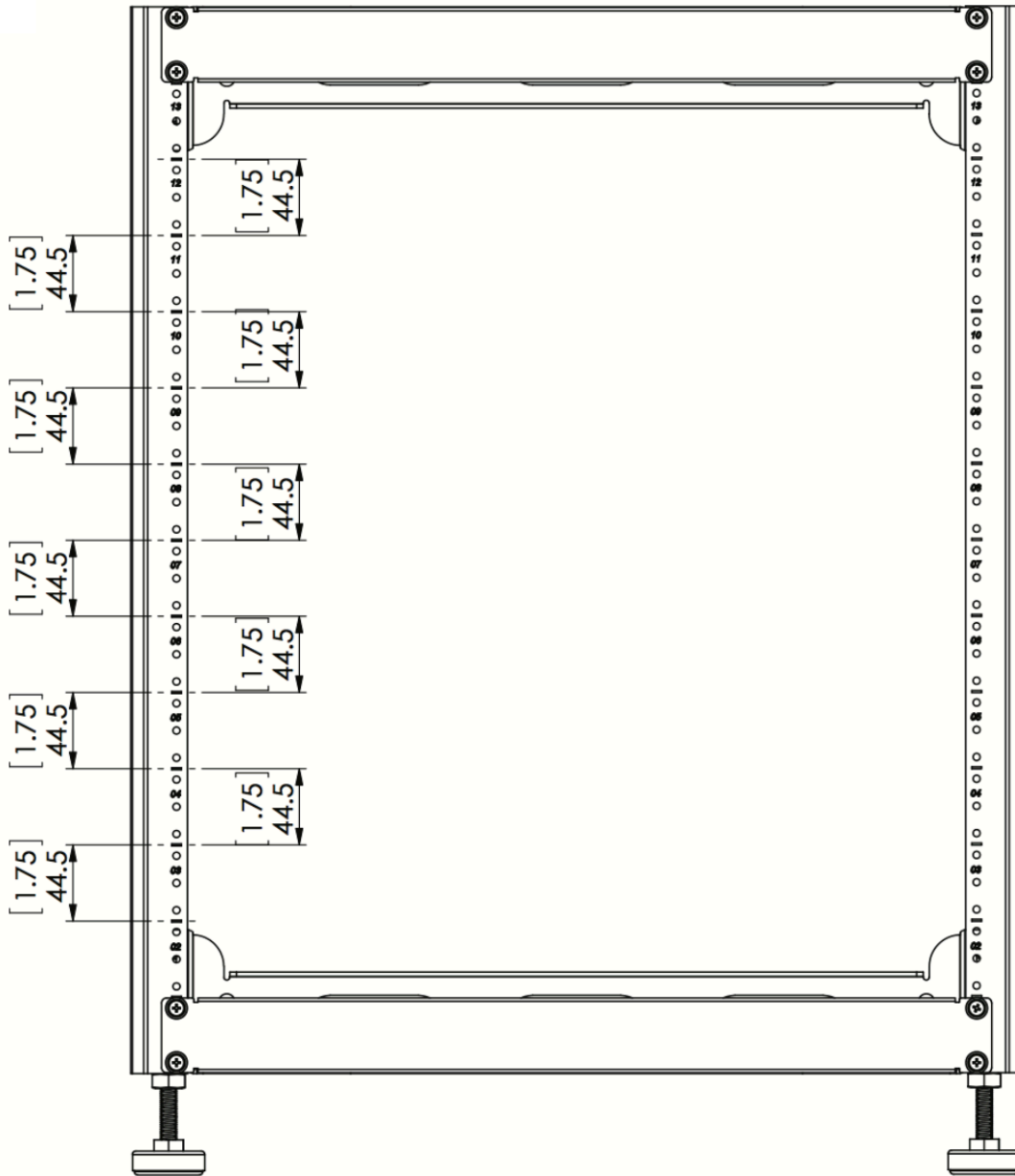


# RAP-RS14



- 14 SPACE SKELETON RACK
- WEIGHT CAPACITY: 500LB ON FLOOR/ 175LB WALL-MOUNTED
- MODULAR-STACKABLE DESIGN
- WELDED SIDES FOR QUICK ASSEMBLY
- LEVELING FEET
- INCLUDES ALL NECESSARY HARDWARE